



# i-swim

Push your boundaries



## Technical features

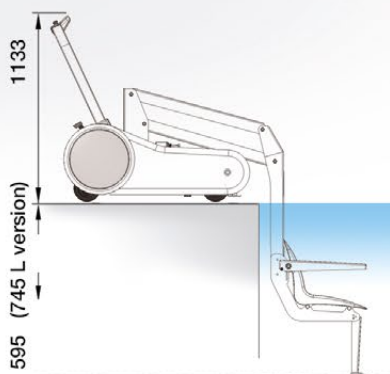
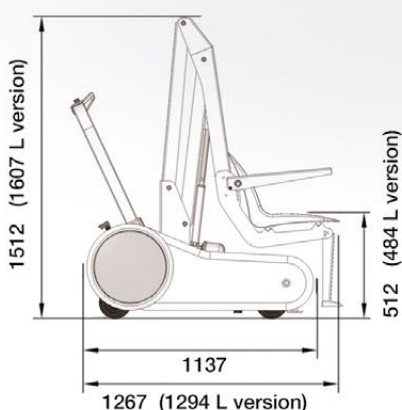
## i-swim and i-swim L

Structure Materials	Aluminum / Stainless Steel
Nr of Wheels	4 (2 with brake)
Lifting structure	Parallelogram
Painting	Powder Coating
Safety	Anti-Tip and Stabilizing System – Patented
Lifting Capacity	136 kg (120 kg i-swim L)
Own Weight	ca. 140 Kg
Voltage	24V
Battery datas	2 Batteries – 2 x 18Amp
Battery Working range	50 Cycles approx.
Battery Charger	Included
Instruments (on Handrail)	Battery Load Indicator
	Up-Down Push Buttons
	Emergency Stop Button

## i-swim complies the following regulations:

Directive 2006/42/CE  
 Directive 2004/108/EC  
 UNI EN ISO 10535  
 93/42/CEE

Machine Directive  
 EMC Electromagnetic Compatibility  
 Hoist For The Transfer of Disabled Persons  
 Medical Device Directive



## Dimensions and travel

	i-swim	i-swim L
Lenght	1267 mm	1294 mm
Width	640 mm	640 mm
Height	1512 mm	1607 mm
Seat max height	512 mm	484 mm
Seat travel down	595 mm	745 mm