

Certikin
brings water to life

**Swimming Pool
Ladders**



CERTIKIN LADDERS

Certikin has built an enviable reputation for high quality and technical innovation and this reputation for quality is reflected in our range of swimming pool ladders. Suitable for both commercial and domestic applications, Certikin swimming pool ladders are available in a choice of styles and in sizes to suit almost every pool.

Certikin Ladders

Engineered in the highest quality grade AISI 316 stainless steel, suitable for use in both fresh water and salt water pools, Certikin ladders are the result of a programme of research and development into ultimate safety and maximum comfort. Certikin 43mm ladders comply with British Standards BS EN 13451-2.

Certikin ladders are constructed using 43mm (1.7") diameter stainless steel tube, with stainless steel treads and escutcheons that are coated in a protective scratch resistant film that is to be removed after installation. This high specification has enabled Certikin to offer a superior quality range of ladders, ruggedly constructed to withstand the rigours of both commercial and domestic use.

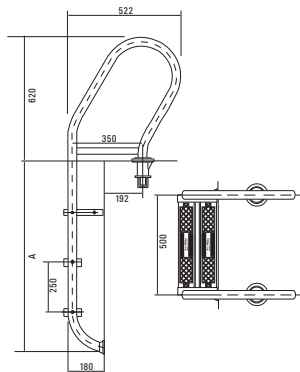
In total there are seven styles of ladder that cover both commercial and domestic applications, and all except NaturaLine are available with a choice of two, three, four or five treads. Naturaline is available in three and four tread options only.

The Certikin ladder range includes Standard, Tina and Club ladders as well as an Overflow ladder that has been designed with a longer handrail to enable installation across the overflow channel on a deck level pool; a Club Bar Liner Ladder that has been developed specifically for liner pools and incorporates a horizontal bar that rests on the pool surround to minimise wear and tear on liner pools; the two part Undercover ladder for use on pools with automatic covers; and the innovative and stylish NaturaLine ladder that combines high quality IPE wood with 304 grade stainless steel to give a modern elegant finish to any pool.



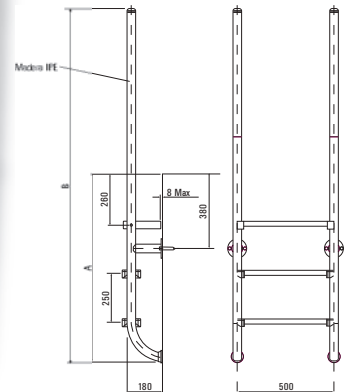
Club Bar Liner Ladder

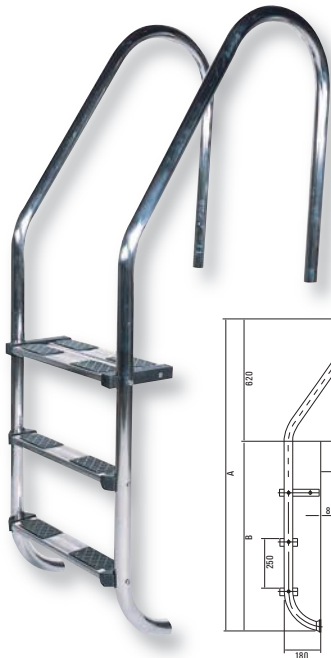
Tread	A
2	710
3	960
4	1210
5	1460



NaturaLine Ladder

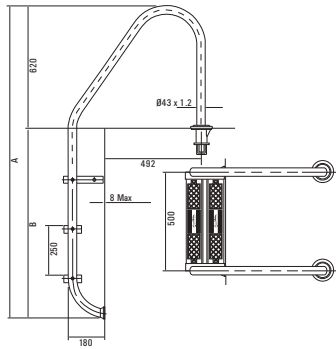
Tread	A	B
2	960	1810
3	1210	2060





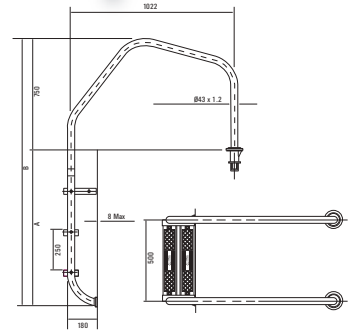
Standard Ladder

Tread	A
2	710
3	960
4	1210
5	1460



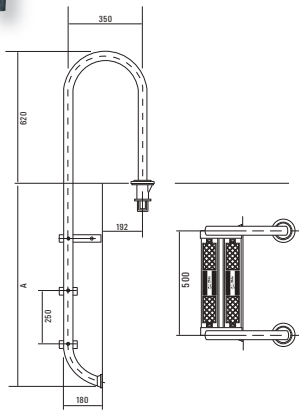
Overflow Ladder

Tread	A	B
2	710	1460
3	960	1710
4	1210	1960
5	1460	2210



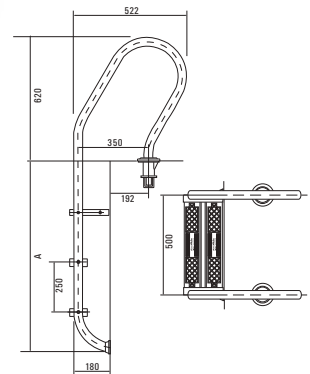
Tina Ladder

Tread	A
2	710
3	960
4	1210
5	1460

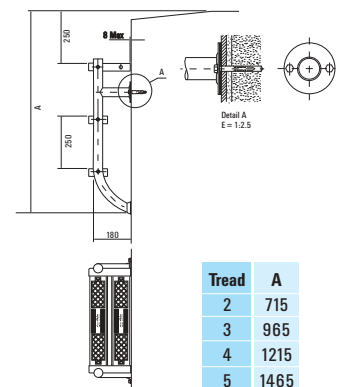
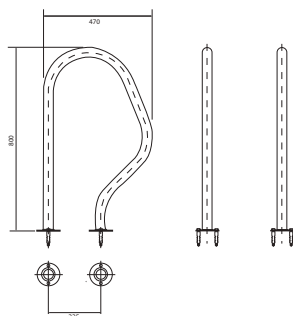


Club Ladder

Tread	A
2	710
3	960
4	1210
5	1460



Undercover Ladder



Tread	A
2	715
3	965
4	1215
5	1465

CERTIKIN LADDERS

Pinch Anchors

The Standard, Tina, Overflow, Club and Club Bar Liner ladders come complete with pinch anchors produced to Certikin's unique design for a secure, sturdy installation on all types of pool surround and come with escutcheon plates for a clean finish. The Undercover and NaturalLine ladders each come with flange fixings and bolts.

Anti-Slip treads

All ladders come complete with stainless steel anti-slip treads and in the UK are supplied with a double width top tread to comply with BS EN: 13451-2 and allow safe entry and exit from the pool. (The double width tread is optional in other countries). The foot of the ladder is protected with a rubber shoe to minimise wear and tear on both the pool wall and the ladder itself.

Accessories:

A variety of CK17 step swivels are available to allow all ladders to be easily tilted and lifted clear of the water when the swimming pool is covered. For salt chlorinated pools, consider the addition of a sacrificial anode (PSA01) to protect stainless steel ladders from damage by electrolysis.



PSA01



Double Width Top Tread
SPC290/17D



Non Slip Stainless Steel Tread
SPC290/17

If you require further technical information
please do not hesitate to contact us

Certikin
brings water to life



Certikin International Ltd
www.certikin.co.uk



This literature is intended as a guide. The Company reserves the right to change the specifications without notice.